

Single Port Probe

FPSP-110

DC~110GHz

Features:

- Durable
- Low Insertion Loss
- Low VSWR

Applications:

- Microwave Test

Electrical

Frequency: DC~110GHz

Recommend Overtravel: 50µm~75µm

Impedance: 50Ω

Mechanical

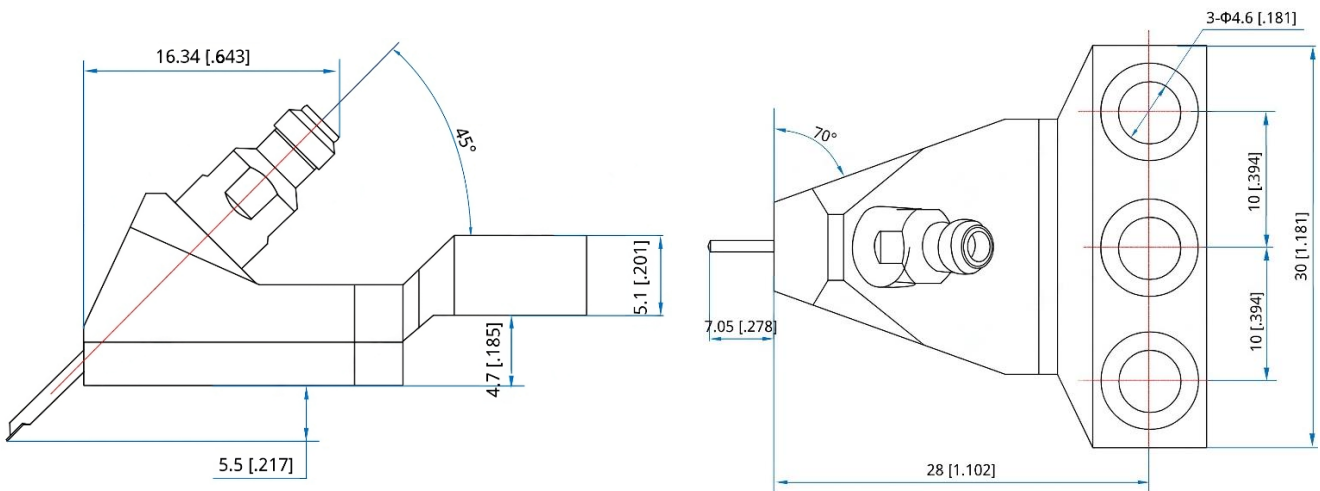
Material: Aluminum Alloy

Probe Tip Material: Gold plated BeCu

Environmental

Operating Temperature -45~+85°C

Construction



Unit: mm [inch]
Tolerance: ±0.25mm [±0.01in]

Specifications.

Frequency (GHz)	Pitch (µm)	Tip Size (µm)	IL (dB Max.)	VSWR (Max.)	Configuration	Mounting Styles	Connector
DC~110	50, 75, 100	30	1.5	2	GSG	45°	1.0mm female
	125	30	1 @DC~67GHz	1.4 @DC~67GHz	GS	45°	1.0mm female