

High Pass Filter

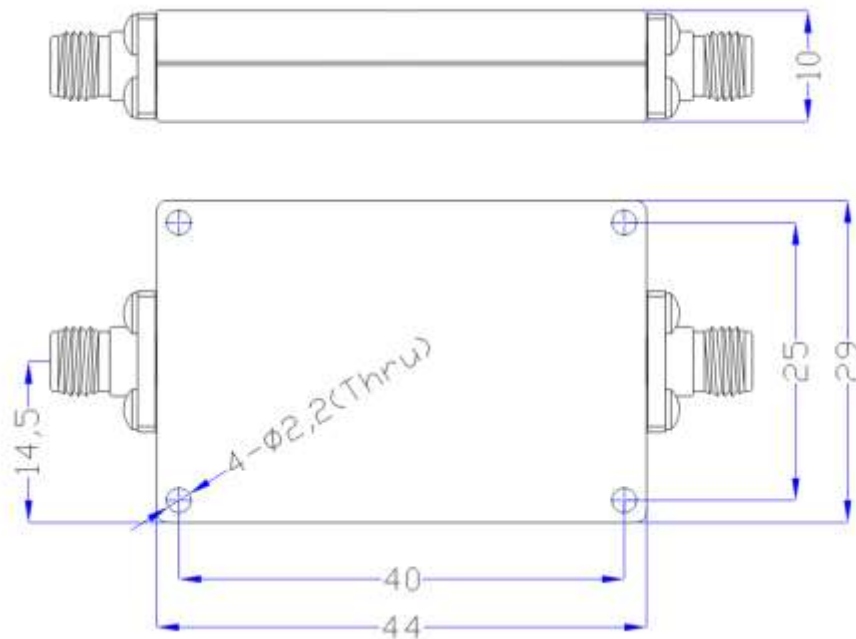
Model

P/N: FPHP-3000-18000-S-S

High Pass Filter Specifications

ITEM	TECHNICAL SPECIFICATION
Frequency Range	3.0 GHz – 18 GHz
Insertion Loss	7.5 dB Min. @ 2.85 – 2.9 GHz 2.0 dB Max. @ 3.0 – 4.0 GHz 1.2 dB Max. @ 4.0 – 18 GHz
Passband Ripple	1.8 dB Max. @ 3.0 – 4.0 GHz 1.0 dB Max. @ 4.0 – 10 GHz 0.8 dB Max. @ 10 – 18 GHz
Return Loss	14 dB Min. @ 3.0 – 18 GHz
Stopband Rejection	55 dB Min. @ 2.6 – 2.7 GHz 70 dB Min. @ 2.4 – 2.6 GHz 80 dB Min. @ 0.01 – 2.4 GHz
Power Handling	15W Max.
Port Connectors	SMA-Female (50 Ω)
Temperature	-30°C ~ +70°C
Dimensions (mm)	44 x 29 x 10

Dimensions (±0.5 mm)



Note(s)

The specifications are subjected to 5% tolerance.

Product Test Plots

Insertion Loss & VSWR

