

## Low Noise Amplifier

### FPLAS-10-8000-40-20

0.01~8GHz, 40dB, 2dB

#### Features:

- Broadband
- Low Noise

#### Applications:

- Wireless
- Receiver
- Laboratory Test
- Radar

#### Electrical

**Frequency:** 0.01~8GHz

**Gain:** 40dB min.

**Gain Flatness:**  $\pm 3$ dB typ.

**Output Power (P1dB):** +18dBm min.  
+20dBm typ..

**Noise Figure:** 2dB typ.

**Spurious:** -60dBc max.

**VSWR:** 2 typ.

**Voltage:** +220V AC

**Impedance:** 50 $\Omega$

#### Mechanical

**Size<sup>[1]</sup>:** 136\*186\*52mm  
5.354\*7.323\*2.047in

**RF Connectors:** SMA Female

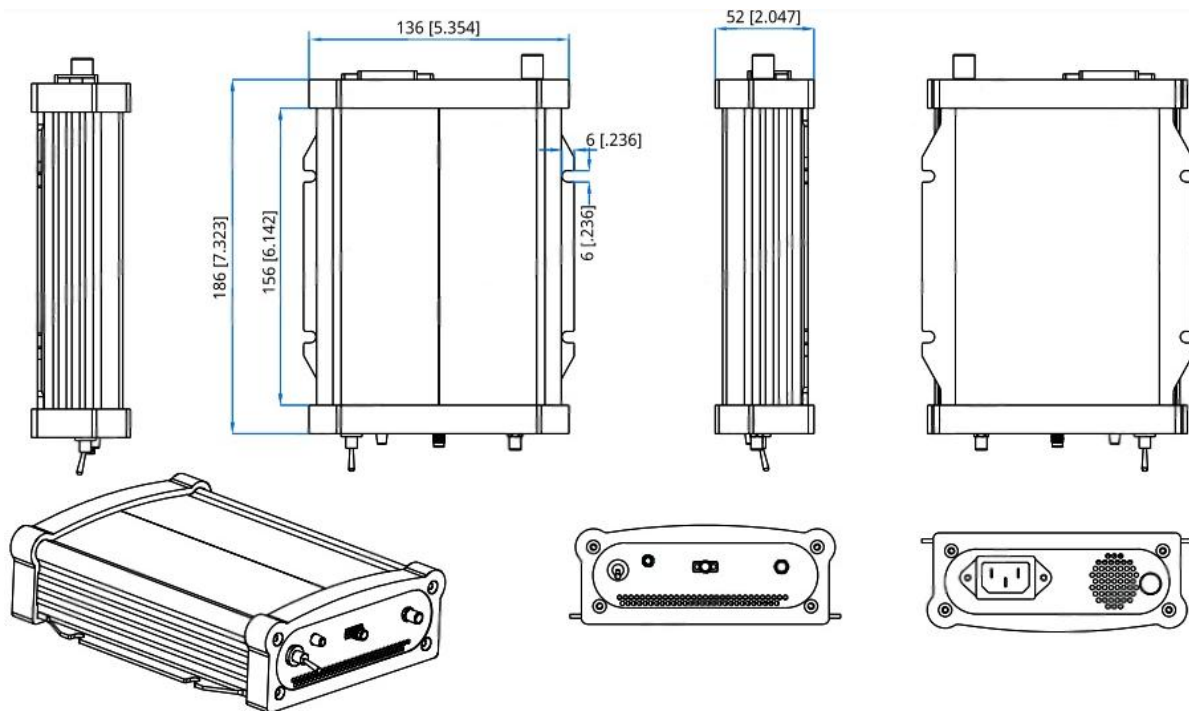
[1] Exclude connectors, rack mount brackets, handles.

#### Environmental

**Operating Temperature:** -20 ~ +50°C

**Non-operating Temperature:** -40 ~ +85°C

#### Construction



#### Note(s)

Unit: mm [in]

Tolerance:  $\pm 0.2$ mm [ $\pm 0.008$ in]