

Drop-In Isolators

FPDI1313T-4400-5000-30-20-1

High Power, High Isolation

Features:

- High Power
- High Isolation
- Low Insertion Loss
- Low VSWR

Applications:

- Wireless
- Radar
- Laboratory Test

Electrical

Frequency	4400~5000MHz
Bandwidth	600MHz
Insertions Loss	0.60dB max
Isolation	18dB min
VSWR	1.30 max
Fwd Power	30W max
Rev Power	20W
Temperature	40~+85°C

Mechanical

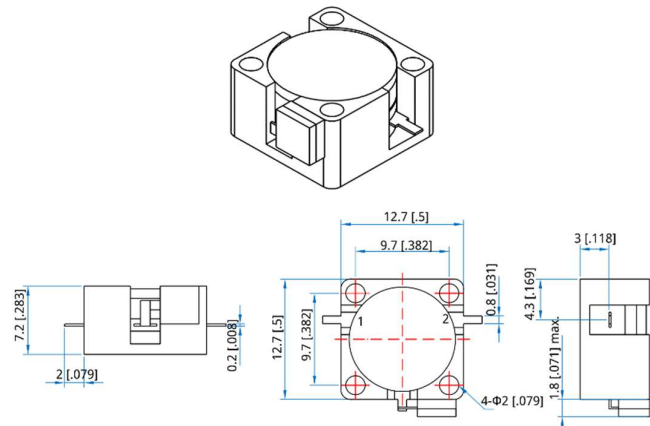
Size^[1]	12.7*12.7*7.2mm 0.5*0.5*0.283in
Connectors Type	Strip line
Mounting	4-Φ2mm through-hole
Size^[1]	12.7*12.7*7.2mm 0.5*0.5*0.283in

[1] Exclude connectors and terminations.

Environmental

Operating Temperature	-45~+75°C
Non-Operating Temperature	-55~+150°C

Construction



Note(s)

Unit: mm [in]

Tolerance: ±0.5mm [±0.02in]