

Digital Controlled Phase Shifter

FPDPS-300-2000-360-6

0.3~2GHz, 360°, 6Bits

Features:

- Broadband
- High Reliable

Applications:

- Instrumentation
- Laboratory Test

Electrical

Frequency	0.3~2GHz
Insertions Loss	19dB max
Phase Range	360°
Control Bits	6 Bits
Phase Flatness	±3° typ
Phase Accuracy	±3° typ
VSWR	2.5 max
Voltage/Current	-5/0.01A
Impedance	50Ω
Power	+24dBm
Temperature	0: 0V 1: +5V

Logic Table

E1	E2	E3	E4	E5	E6	VEE	
0	0	0	0	0	0		0
1	0	0	0	0	0		-5.625°
0	1	0	0	0	0		-11.25°
0	0	1	0	0	0		-22.5°
0	0	0	1	0	0	-5	-45°
0	0	0	0	1	0		-90°
0	0	0	0	0	1		-180°
1	1	1	1	1	1		-354.375°

Control True Table

Pin 1	Pin 2	Pin 3	Pin 4	Pin 5	Pin 6	Pin 7	Pin 8
E6	E5	E4	E3	E2	E1	GND	VEE

Mechanical

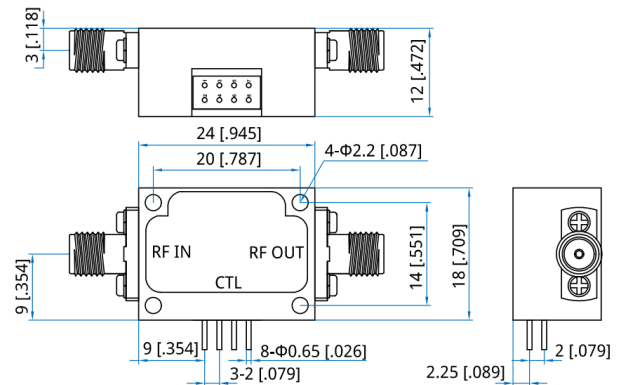
Size ^[1]	24*18*12mm 0.945*0.709*0.472in
RF Connectors	SMA Female
Power Supply	Feed Through
Connectors	/Terminal Post

[1] Exclude connectors.

Environmental

Operating Temperature	-45~+85°C
Non-Operating Temperature	-55~+125°C

Construction



Note(s)

Unit: mm [inch]

Tolerance: ±0.2mm [±0.008in]