

Limiter

FPL-8000-12000-14

8~12GHz, 14dBm

Features:

- Broadband

Applications:

- Wireless
- Transmitter
- Laboratory Test
- Radar

Electrical

Frequency	8~12GHz
Insertions Loss	1.8dB typ.
Flat Leakage	14dBm typ.
VSWR	1.3 typ.
Impedance	50Ω

Absolute Maximum Rating

RF Input Power	44dBm
----------------	-------

Mechanical

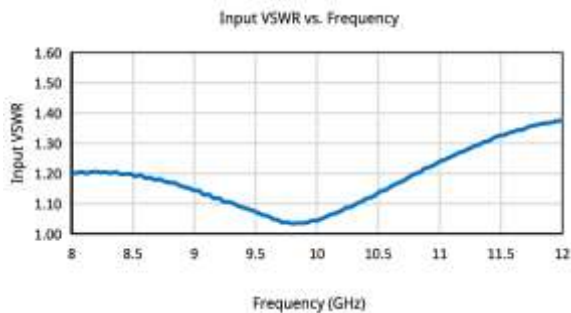
Size ^[1]	18*18*12mm 0.709*0.709*0.472in
RF Connectors	SMA Female
Mounting	2-Φ2.2mm through-hole

[1] Exclude connectors.

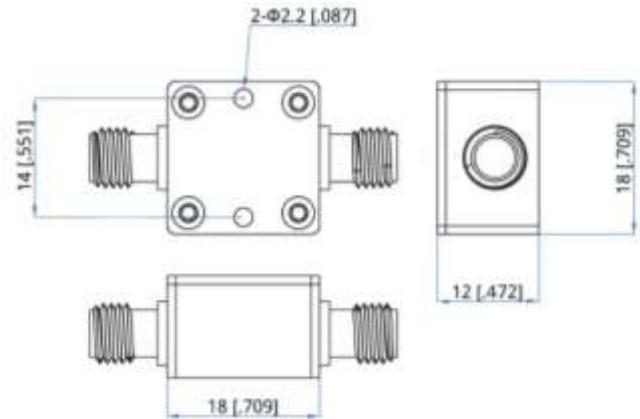
Environmental

Operating Temperature	-40~+70°C
Non-Operating Temperature	-55~+85°C

Typical Performance Curves

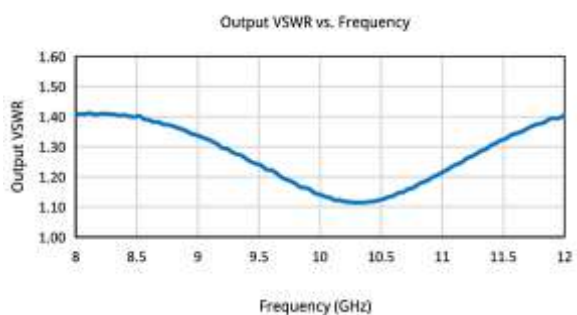


Outline Drawings

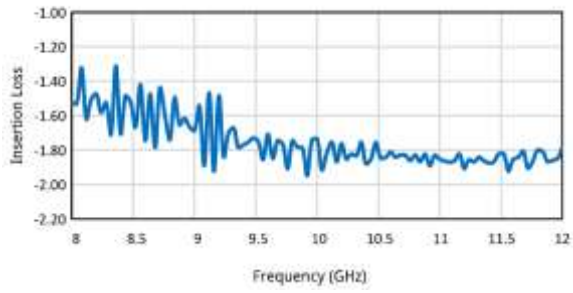


Note(s)

Unit: mm [in]
Tolerance: ±0.5mm [±0.02in]



Insertion Loss vs. Frequency



Flat Leakage@9GHz

