

## Balanced Mixer

### FPBM-1700-8000

1.7~8GHz

#### Features:

- Low Conversion Loss
- High Isolation

#### Applications:

- Wireless
- Transceiver
- Laboratory Test
- Broadcast

#### Electrical

<b>RF Frequency:</b>	1.7~8GHz
<b>LO Frequency:</b>	1.7~8GHz
<b>LO Input Power:</b>	+10dBm typ.
<b>IF Frequency:</b>	DC~3GHz
<b>Conversion Loss:</b>	6dB typ.
<b>Input Power(P1dB):</b>	3dBm typ.
<b>LO &amp; RF Isolation:</b>	25dB typ.
<b>LO &amp; IF Isolation:</b>	20dB typ.
<b>VSWR:</b>	3 typ.

#### Absolute Maximum Ratings

**RF Input Power:** +17dBm

#### Mechanical

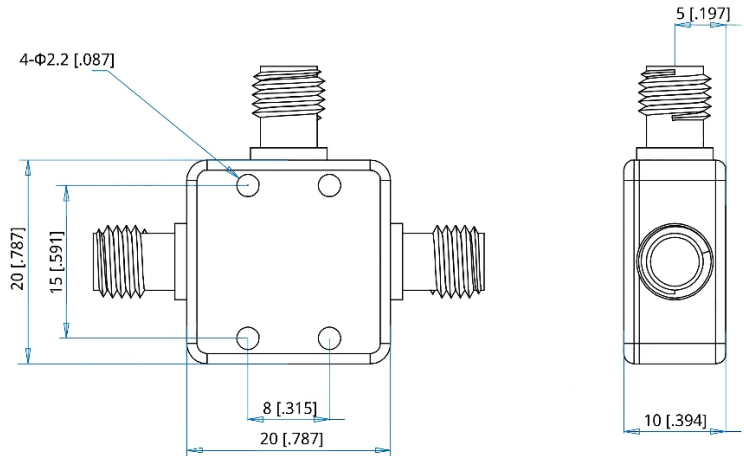
<b>Size*1:</b>	20*20*10mm 0.787*0.787*0.394in
<b>Connectors:</b>	SMA Female
<b>Mounting:</b>	4- $\Phi$ 2.2mm through-hole

[1] Exclude connectors.

#### Environmental

**Operating Temperature** -35~+75°C

#### Construction



#### Note(s)

Unit: mm [in]

Tolerance:  $\pm 0.2$ mm [ $\pm 0.008$ in]