

Low Noise Amplifier

FPLAS-10-18000-50-40

0.01~18GHz, 50dB, 4dB

Features:

- Broadband
- Low Noise

Applications:

- Wireless
- Receiver
- Laboratory Test
- Radar

Electrical

Frequency:	0.01~18GHz
Gain:	50dB typ.
Gain Flatness:	±3dB typ.
Output Power (P1dB):	+10dBm min.
Noise Figure:	4dB typ. @0.2~18GHz
Spurious:	-60dBc max.
VSWR:	2.5 typ.
Voltage:	+220V AC
Impedance:	50Ω

Mechanical

Size^[1]: 136*186*52mm
5.354*7.323*2.047in

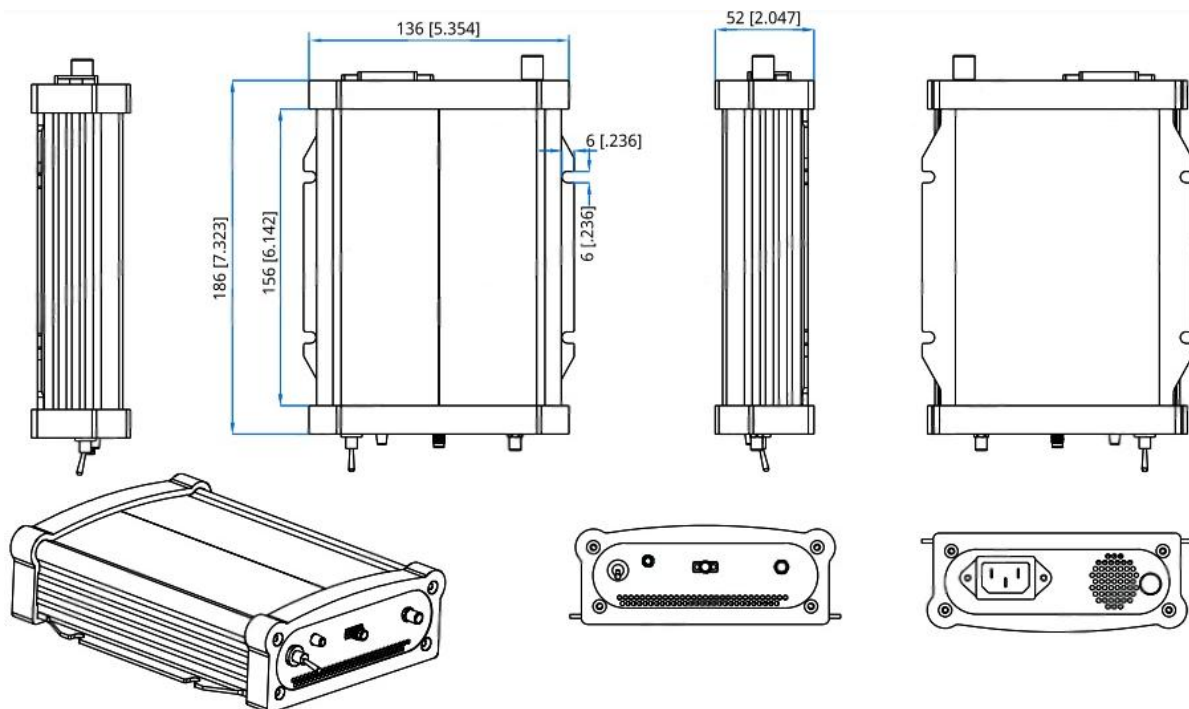
RF Connectors: SMA Female

[1] Exclude connectors, rack mount brackets, handles.

Environmental

Operating Temperature: -20 ~ +50°C
Non-operating Temperature: -40 ~ +85°C

Construction



Note(s)

Unit: mm [in]

Tolerance: ±0.2mm [±0.008in]