

Connector

FPCN-MCB-RG142-1

N Male Crimp

Features:

- Low VSWR

Applications:

- Wireless
- Radar
- Instruments
- Electronics

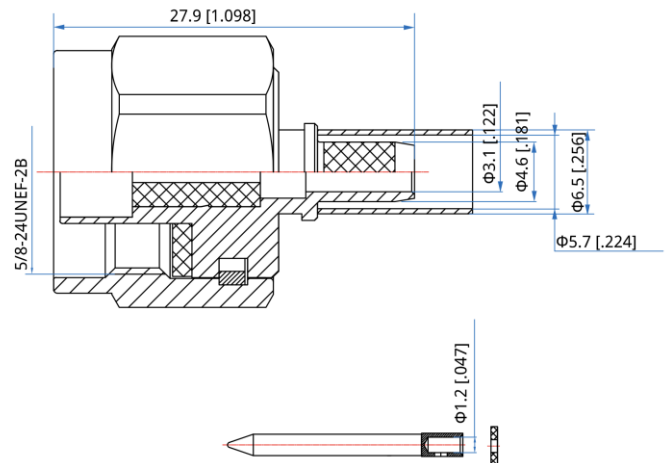
Electrical

Frequency	DC~6GHz
VSWR	1.15 max. @DC~3GHz
Impedance	50Ω

Mechanical

RF Connector	N Female
Mating Cable	RG223, RG58, LMR195, RG142
Outer Conductor	Ternary Alloy Plated Brass
Inner Conductor	Gold Plated Brass

Outline Drawing



Note(s)

Unit: mm [in]

Tolerance: ±0.2mm [±0.008in]