

FPIM-1750-5000

1.75~5GHz

Features:

- Low Conversion Loss
- High Isolation

Applications:

- Wireless
- Transceiver
- Laboratory Test
- Broadcast

Electrical

| | |
|------------------------------|-----------|
| LO/RF Frequency | 1.75~5GHz |
| LO Input Power | 17dBm typ |
| IF Frequency | DC~2GHz |
| Conversion Loss | 10dB typ. |
| VSWR (IF) | 1.5 typ. |
| VSWR (LO) | 2 typ. |
| VSWR (RF) | 3 typ. |
| LO & RF Isolation | 38dB typ. |
| LO & IF Isolation | 40dB typ. |
| IF & RF Isolation | 30dB typ. |

Mechanical

Size*1 24*24*12mm
0.945*0.945*0.472in

Connectors SMA Female

Mounting 4-Φ2.2mm through-hole

[1] Exclude connectors.

Environmental

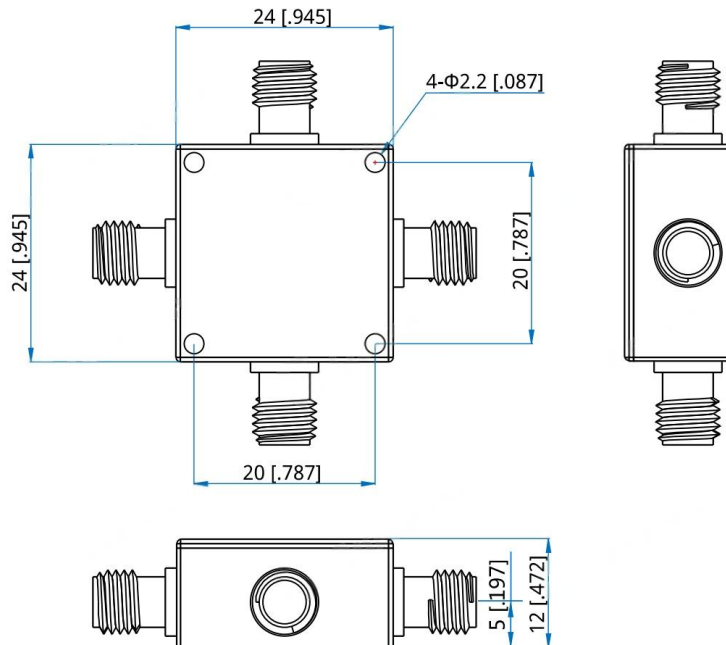
Operating Temperature -40~+70°C

Non-operating Temperature -55~+100°C

Absolute Maximum Ratings

RF/IF Input Power: 23dBm

Construction



Note(s)

Unit: mm [in]

Tolerance: ±0.5mm [±0.02in]