

Coaxial Adapter

FPAM2N

NMD 2.4mm to N

Features:

- Low VSWR

Applications:

- Wireless
- Transmitter
- Laboratory Test
- Radar

Electrical

Frequency: DC~18GHz

VSWR: 1.15 max.

Impedance: 50Ω

Mechanical

RF Connectors: NMD 2.4mm
N

Mating Life Cycle: 2000 cycle min.

Outer Conductor: Passivated SUS303
stainless steel

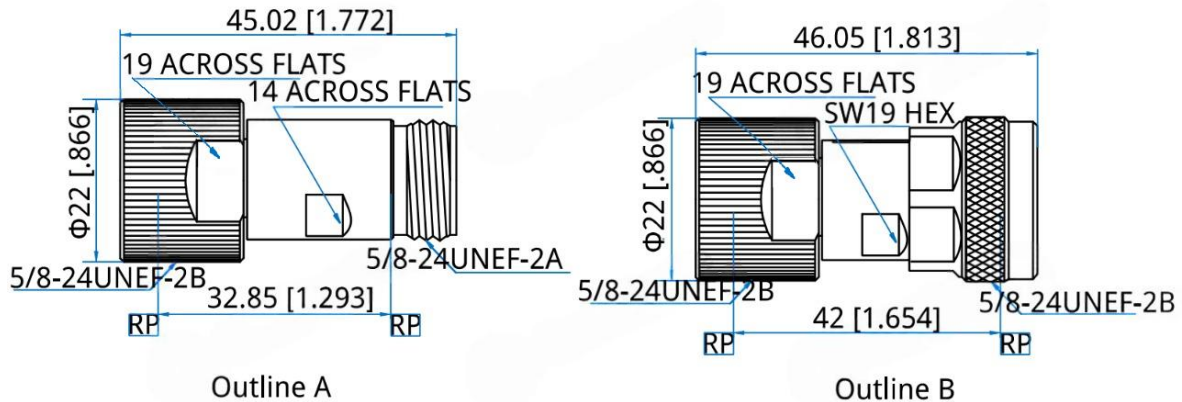
Dielectric: PEI

Inner Conductor: Gold-plated beryllium copper

Environmental

Temperature: -55 ~ +165°C

Construction



Note(s)

Unit: mm [in]

Tolerance: ± 0.2 mm [± 0.008 in]