

Coaxial Adapter

FPAM2J

NMD 2.4mm to 7mm

Features:

- Low VSWR

Applications:

- Wireless
- Transmitter
- Laboratory Test
- Radar

Electrical

Frequency: DC~18GHz

VSWR: 1.15 max.

Impedance: 50Ω

Mechanical

RF Connectors: NMD 2.4mm
7mm

Mating Life Cycle: 2000 cycle min.

Outer Conductor: Passivated SUS303
stainless steel

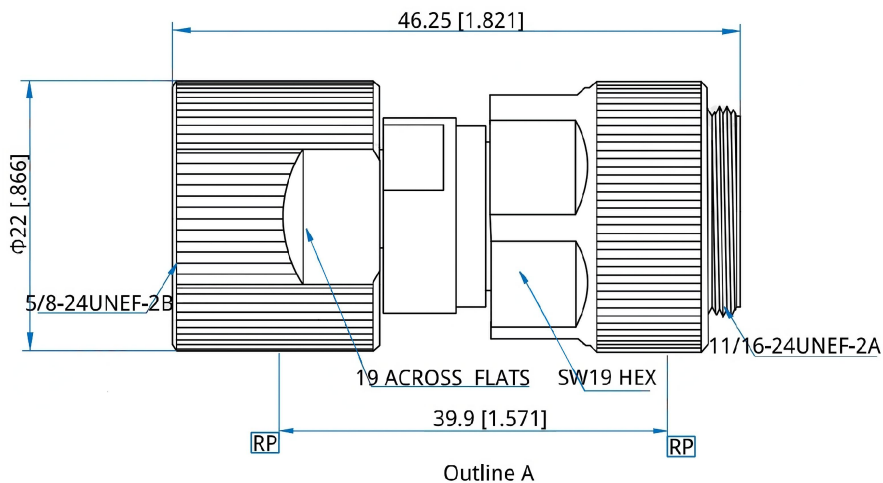
Dielectric: PEI

Inner Conductor: Gold-plated beryllium copper

Environmental

Temperature: -55 ~ +165°C

Construction



Note(s)

Unit: mm [in]

Tolerance: $\pm 0.2\text{mm}$ [$\pm 0.008\text{in}$]