

Coaxial Limiter

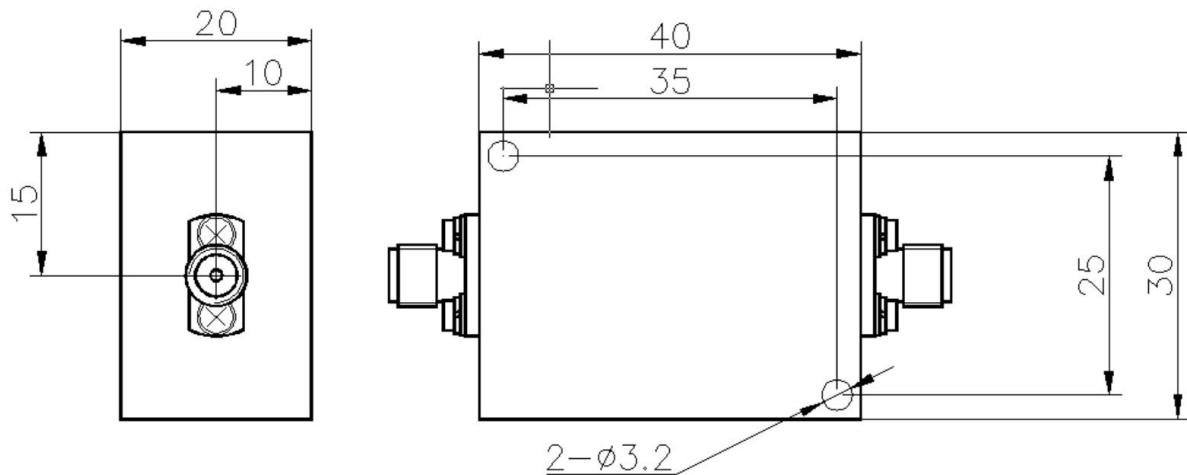
Model

P/N: FPL-30-500-10

Coaxial Limiter Specifications

ITEM	TECHNICAL SPECIFICATION
Center Frequency(F0)	30 – 500MHz
VSWR	1.15 dB Max.
Insertion Loss	0.6 dB Max.
Input Power	3W Max.
Leakage Power	+10 dBm
Connectors	SMA-Female
Temperature Range	-40 °C ~ +70 °C

Dimensions (±0.5 mm)



Note(s)

Outline Drawing (Unit: mm) is only for reference.