

4-Way Resistive Power Divider

FPPD4-0-67000-2-V

4-Way, DC~67GHz, 2W

Features:

- Small Size
- Low Insertion Loss

Applications:

- Amplifiers
- Mixers
- Antennas
- Laboratory Test

Electrical

Frequency: DC~67GHz
Insertion Loss *1: 6dB typ.
VSWR: 2 max.
Isolation: 12dB typ.
Amplitude Balance: ±1.6dB
Phase Balance: ±10°
Impedance: 50Ω
Average Power: 2W

[1] Excluding theoretical loss 12dB.

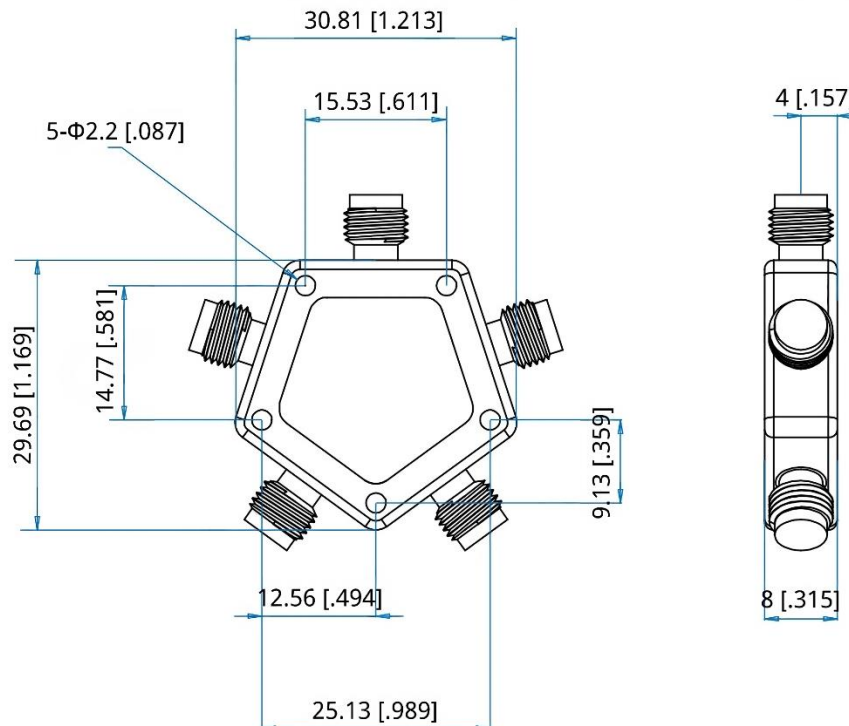
Mechanical

Size*2: 30.81*29.69*8mm
1.213*1.169*0.315in
Connectors: 1.85mm Female
Mounting: 5-Φ2.2mm through-hole

Environmental

Operating Temperature: -35~+75°C

Construction



Note(s)

Unit: mm [in]

Tolerance: ±0.3mm [±0.012in]